

ARGON 18 PRESENTS THE **E-118 TRI+** FAST, FIT, FEARLESS



A UCI-LEGAL TRI BIKE WITH THE LEAN, LOW RACE FRAME OF A TT CHAMPION, TAILORED FOR TRIATHLETES.

AGGRESSIVE FIT AND POSITIONING

- New geometry provides a significantly lower, more aerodynamic front profile. Our updated ONEness system offers a bar/stem system with armrest stack 2cm lower and grip position 4cm lower than the E-118Next. Allows athletes to achieve an aggressive position, and for smaller riders to find their perfect fit.

DESIGNED FOR HIGHLY TECHNICAL COURSES

- Superb handling with the confidence of disc brakes. TT-level stiffness provides increased power transfer, and confident climbing and cornering comes through the lower position available on the base bar, with a 1.5cm increase in the saddle to handlebar drop over the E-118Next.

LIGHTWEIGHT

- At 1200g (frameset, medium), the E-118 Tri+ is among the lightest tri bikes on the market. Working within the UCI limits on tube size pushed us to shave all unneeded bulk off the frame, for a lean, lightweight racer that leaves you fresh for the run.

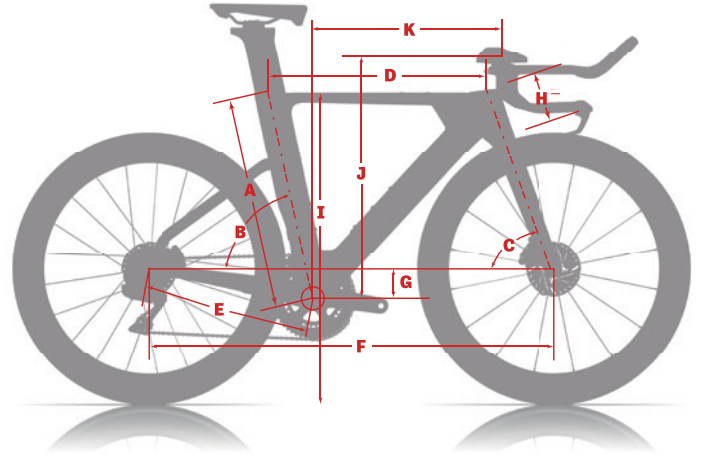
ARGON 18



E-118 TRI+ FAST, FIT, FEARLESS

*"It's impossibly stable.
It's actually hard to describe how it feels
in a fast corner. 'On the rails' is a cliché, but
it works here. That means it gives you
confidence, supreme confidence.
I think athletes will really latch onto that.
The less you have to think about the bike
and the more you can just believe in it,
the better results you have."*

Pro Triathlete Eric Lagerstrom



GEOMETRY

SIZE CLASSIC		XS 47-50	S 51-53	M 54-56	L 57-59
A SEAT TUBE HEIGHT	CM	46.1	50.0	51.6	54.6
B SEAT TUBE ANGLE	DEG	78.0	78.0	78.0	78.0
C HEAD TUBE ANGLE	DEG	72.0	72.0	72.0	72.0
D TOP TUBE LENGTH*	CM	49.2	50.4	51.7	52.8
E CHAINSTAY LENGTH	CM	41.3	41.3	41.3	41.3
F WHEELBASE	CM	97.7	99.0	100.5	101.9
G BB DROP	CM	7.0	7.0	7.0	7.0
H HEADTUBE LENGTH	CM	4.9	6.0	7.6	10.4
I STANDOVER HEIGHT†	CM	71.8	75.4	77.0	79.5

* HORIZONTAL TOP TUBE LENGTH
† MEASURED WITH 700x23C TIRES

FIT (STACK AND REACH)

J* STACK MIN.	CM	53.6	54.7	56.2	58.8
STACK MAX.	CM	63.6	64.7	66.2	68.8
K* REACH MIN.	CM	43.3	44.3	45.3	45.8
REACH MAX.	CM	51.5	52.5	53.5	54.0
SADDLE HEIGHT MIN.†	CM	57.6	61.5	63.1	66.1
SADDLE HEIGHT MAX.†	CM	78.1	82.0	83.6	86.6

* STACK AND REACH MEASURED AT CENTER OF ELBOW PAD
† MEASURED FROM MIDDLE OF BB TO TOP OF SADDLE ALONG SEAT TUBE

BUILD OPTIONS SPECS

KIT 2 ULTEGRA Di2 315A - BLACK FROZEN TO GREY

FRONT DERAILLEUR	Shimano Ultegra Di2 Braze on
REAR DERAILLEUR	Shimano Ultegra Di2
SHIFTERS	Shimano Dura-Ace Di2 SW-R9160
BRAKES	Shimano R9170
BRAKE LEVER	Shimano Dura Ace R9180
ROTOR	Shimano Dura Ace RT900 FR: 140mm RR: 140mm
CABLE & HOUSING	Shimano

CRANKSET	Shimano R8000 52/36
BB	Shimano BB Press Fit SM-BB72-41B
CHAIN	Shimano HG700
CASSETTE	Shimano R8000 11/28
HEADSET	FSA RS054
STEM	Argon 18 ONeness 3.0
TT BAR	Argon 18

BAR TAPE	Prologo Microtouch black
SADDLE	ISM PN3,1
SEATPOST	Argon 18 ASP-7050 Aero
TIRES	Vittoria Corsa G+ 700x25
THRU AXLE	Argon 18 FR: 12mmx119 RR: 12mmx161
WHEELSET	HED Jet Plus Black 6 & 9 Disc

